

# KLIMA-FLEX 2 ROD LINK FOR INSIDE HANDLE



Rod link for Klima-flex 2 Inside Handle. In the Klima-flex 2 system you can combine a safety catch, rod link and/or inside security handle with the inside roller cam.

VDI  
6022

#### MATERIAL

**Rod link:** Zinc die cast, zinc plated

**Screw:** Steel, zinc plated

#### RELATED PRODUCTS

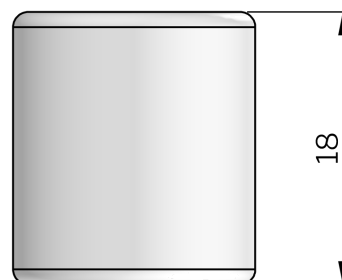
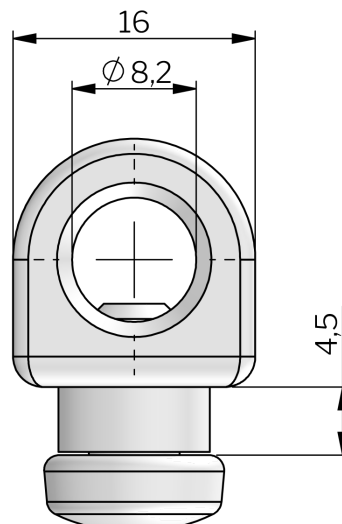
**Interlink rods:** 2-313a

**Handles:** 2-315f

Use the Index Code at [industrilas.com](http://industrilas.com)

#### TECHNICAL INFORMATION

**Standards:** VDI 6022



**Industrilas**  
— When access counts —

P/N	Description
2651-903002	Separate rod link part for mounting on inside security handle